

# Cylindrical LED

## Super Yellow, 3mm

multicomp<sup>PRO</sup>

RoHS  
Compliant

### Specifications

Dice Material : AlInGaP  
Emitted colour : Super Yellow  
Lens colour : Yellow Diffused  
Peak wavelength : 590nm  
Viewing angle : 100°  
Luminous intensity (IV) : 70mcd

Electrical / Optical Characteristics at Ta = 25°C						
Parameter	Symbol	Min.	Typ.	Max.	Unit	Condition
Luminous Intensity	IV	50	70	100	mcd	IF = 20mA
Viewing Angle	2θ1/2		100		deg	
Peak Emission Wavelength	λp		590		nm	
Dominant Wavelength	λD	586	590	592	nm	
Spectral Line Half-Width	Δλ		22		nm	
Forward Voltage	VF	1.8	2	2.6	V	VR=5V
Reverse Current	I <sub>r</sub>	-	-	10	uA	

▲ Luminous intensity (IV) ±10%, Forward Voltage (VF) ±0.1V, Wavelength (λd) ±0.5nm

Absolute Maximum Ratings: (Ta = 25°C)			
Parameter	Symbol	Rating	Unit
Power Dissipation	P <sub>d</sub>	85	mW
Peak Forward Current ( Duty 1/10 @ 1KHZ )	IF (Peak)	100	mA
Recommended Operating Current	IF (Rec)	30	mA
Electrostatic Discharge	ESD <sub>HBM</sub>	2000	V
Operating Temperature Range	T <sub>OPR</sub>	-40 to +85	°C
Storage Temperature Range	T <sub>STG</sub>	-40 to +100	°C
Lead Soldering Temperature Range (1.6 mm (1/16 inch) from body)	Reflow Soldering: 260°C for 5 sec. Hand Soldering: 350°C for 3 sec.		

Newark.com/multicomp-pro  
Farnell.com/multicomp-pro  
Element14.com/multicomp-pro

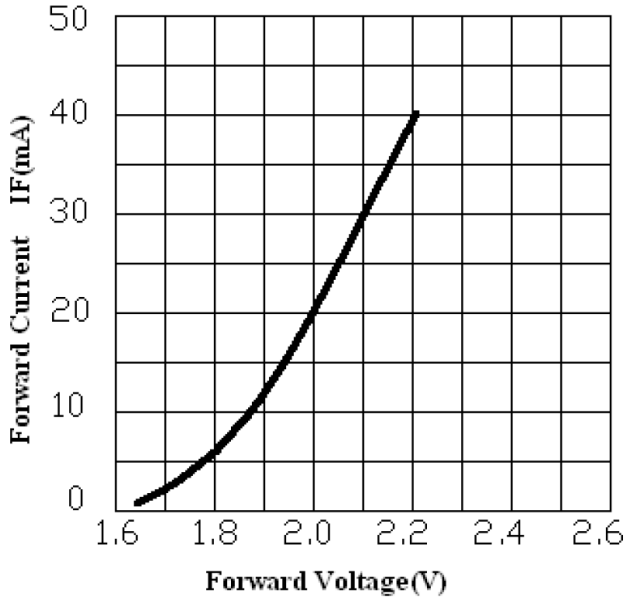
multicomp<sup>PRO</sup>

# Cylindrical LED

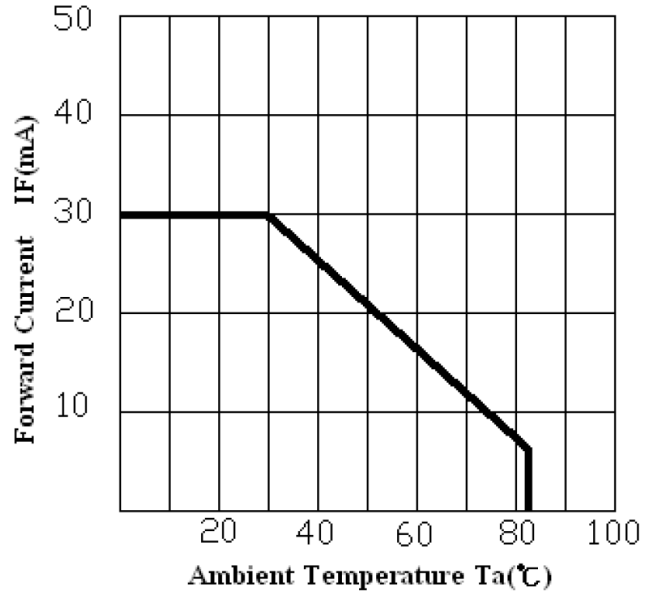
## Super Yellow, 3mm

### Typical Electro-Optical Characteristics Curves

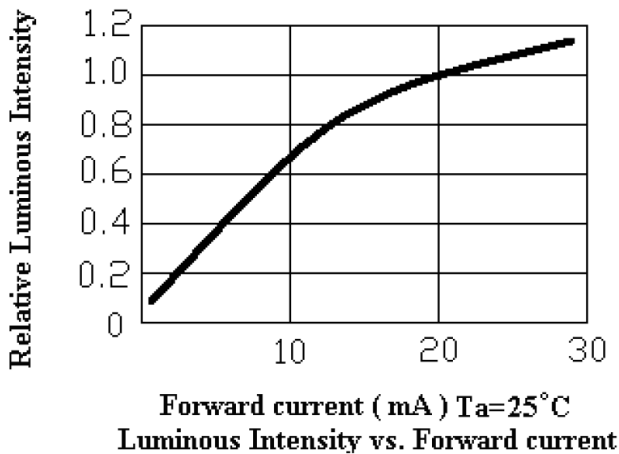
#### Super Yellow (AlInGaP $\lambda_P=590\text{nm}$ )



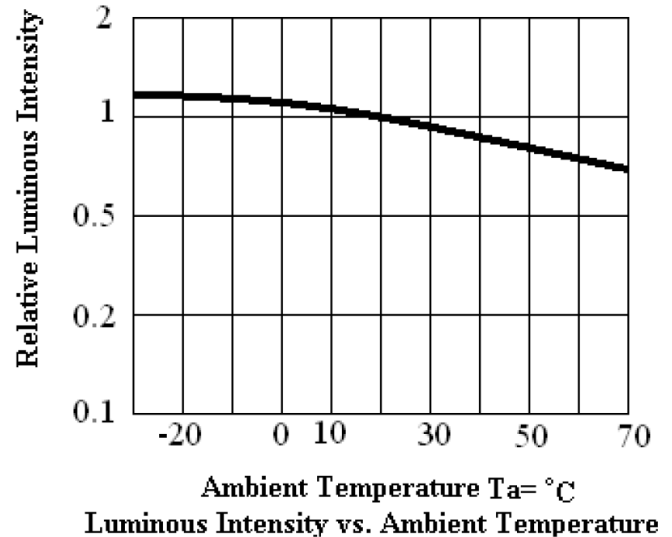
Forward Current vs. Forward Voltage



Forward Current Derating Curve



Luminous Intensity vs. Forward current

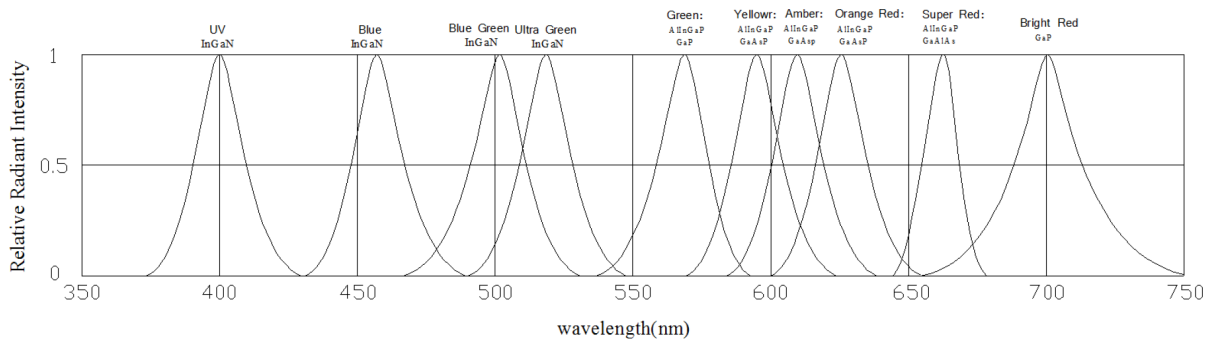


Luminous Intensity vs. Ambient Temperature

# Cylindrical LED

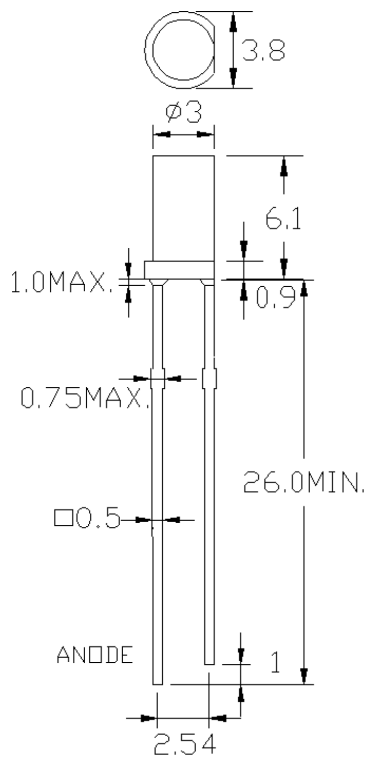
## Super Yellow, 3mm

**multicomp** PRO



Relative Intensity VS. wavelength

### Dimensions



Dimensions : Millimetres

### Part Number Table

Description	Part Number
Cylindrical LED, Super Yellow, 590nm, 100°, 70mcd, Through hole	MP007988

**Important Notice :** This data sheet and its contents (the "Information") belong to the members of the AVNET group of companies (the "Group") or are licensed to it. No licence is granted for the use of it other than for information purposes in connection with the products to which it relates. No licence of any intellectual property rights is granted. The Information is subject to change without notice and replaces all data sheets previously supplied. The Information supplied is believed to be accurate but the Group assumes no responsibility for its accuracy or completeness, any error in or omission from it or for any use made of it. Users of this data sheet should check for themselves the Information and the suitability of the products for their purpose and not make any assumptions based on information included or omitted. Liability for loss or damage resulting from any reliance on the Information or use of it (including liability resulting from negligence or where the Group was aware of the possibility of such loss or damage arising) is excluded. This will not operate to limit or restrict the Group's liability for death or personal injury resulting from its negligence. Multicomp Pro is the registered trademark of Premier Farnell Limited 2019.

Newark.com/multicomp-pro  
 Farnell.com/multicomp-pro  
 Element14.com/multicomp-pro

**multicomp** PRO